

BLOM

Andreas Engesvik, 2013

Blom is a small table lamp by Andreas Engesvik, a Norwegian designer who has made a name for himself on the international scene thanks to his ability to instil emotions, appeal and ideas into everyday objects. Taking up very little space, just 24 cm tall with a diameter of 15 cm, Blom is a light, fun lamp that is easy to pick up and move and suitable for any purpose. Its name, a contraction of the word blomst, which in Norwegian means flower, is inspired by its petal shaped blades. Intensity can be adjusted thanks to the two petals that gently embrace the diffuser, rotating on the base to shield the glare depending on personal requirements: with the petals aligned the lamp emits maximum light. The compact fluorescent bulb guarantees good effective lighting with low energy consumption. The metal base ensures stability for the lamp and when lit, the polycarbonate petals maintain a temperature that permits touching without the risk of burns. Blom is an article that adapts perfectly to contemporary living trends, at home on a table in the lounge or even by a bedside.

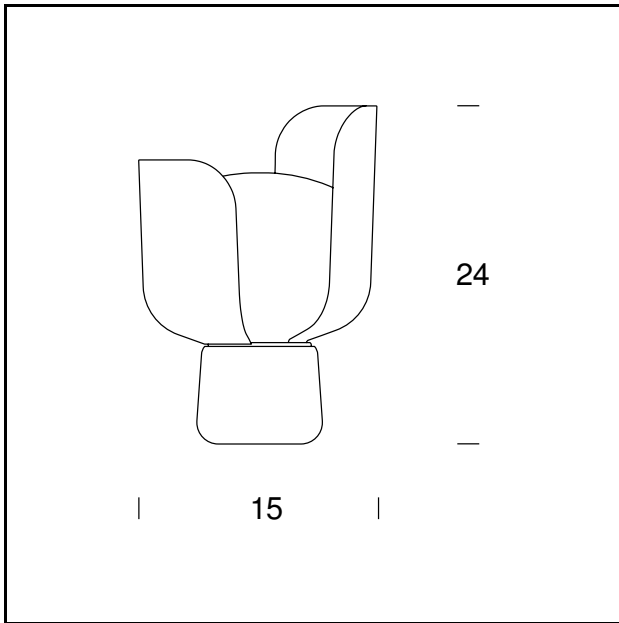


reddot award 2014
winner



TECHNICAL SHEET

Table lamp. Diffuser in milk white opaline polyethylene, petals in polycarbonate, base in painted aluminium. Diffused light emission adjusted by moving the petals. Available: red, grey, green, yellow, white and black. Switch on transparent cable.



MODEL NAME: Blom

CODE: 4253..

DIMENSIONS: Ø 15 x 24 cm

MATERIALS: Polyethylene, polycarbonate, aluminium

COLORS

- Black - RAL Code: RAL 9005 Matt
- Green - RAL Code: RAL 6021 Matt
- Green - RAL Code: RAL 6028 Matt
- Grey - RAL Code: RAL 7044 Matt
- Red - RAL Code: RAL 3003 Matt
- White - RAL Code: RAL 9010
- Yellow - RAL Code: RAL 1021 Matt

BULB: 1x11W (FL) E14

PLUG: Transparent

POWER CORD: Transparent

CERTIFICATIONS AND SYMBOLS:



Subject to technical modifications and modifications to content