

# SOFA WITH ARMS

Shiro Kuramata

cappellini



Small armchairs with frame in chromed metal tube. Seat and back padded with multi-density polyurethane foam. Fixed cover in fabrics and leathers of the collection.

## Materials used

### Structure:

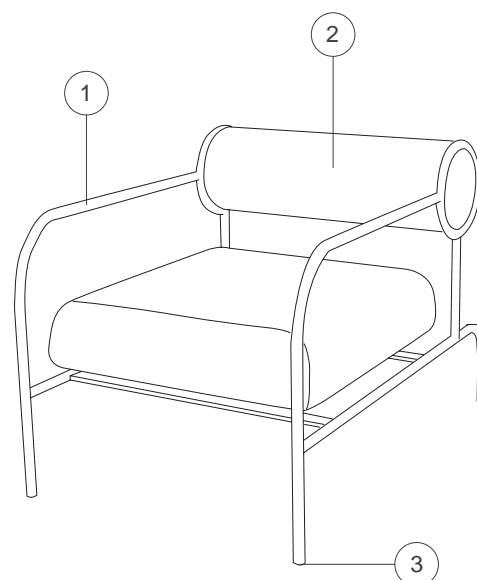
1. Chromed metal tube with seat in poplar plywood and back in massive fir and medium density wooden conglomerate parts

### Padding:

2. Multi-density polyurethane foam, with cover fixed in fabric, leather G or Extra G2

### Feet:

3. White plastic



## Dimensions

### PC\_17

