

BESTLITE BL5 // WALL LAMP, HARD WIRED (LNSWITCHED), EU MODEL

Designed by Robert Dudley Best

PRODUCT



Item no.: 001-0516X
+ style code

DESCRIPTION

Bestlite has been in continuous production since 1930. Robert Dudley Best created Bestlite design. He was highly influenced by the Bauhaus. In the past 80 years, people appreciated the lamps and it decorates many homes, hotels and restaurants worldwide. Loved by architects, designers and design aficionados throughout its 80-year history, today, Bestlite enjoys global iconic status.

VERSION - BESTLITE WALL LAMP BL5

Shade and base: Powder coated aluminium
Tube and arm: Chromed steel

RAL codes are indicative.

- Fabric wire - Black:
- Black / White inside // RAL 9004 / RAL 9003 // Gloss level 20 / Gloss level 20
- Fabric wire - Off-White:
- Off-White / White inside // RAL 1015 / RAL 9003 // Gloss level 20 / Gloss level 20
- Fabric wire - White:
- White / White inside // RAL 9003 / RAL 9003 // Gloss level 20 / Gloss level 20

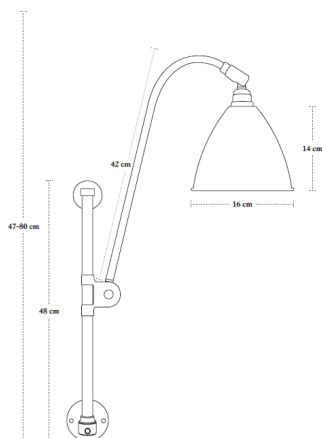
Please contact us for other colours or finishes.

VERSION

Order item - look for part number in the pricelist.

Series contains the following:

BL5, BL6, BL7, BL10



COLOURS



// Black / Chrome

// Off-White / Chrome

// White / Chrome

FACTS

MEASUREMENT - L X W X H MM

Lamp height: 470-800 mm
Tube length: 480 mm
Shade height: 140 mm
Shade diameter: Ø160 mm
Cord - total length w/sw: App. 2400 mm
Cord - exposed out of lamp: App. 2000 mm

WEIGHT ITEM - LAMP INCL. WIRE

1323 g

PACKAGING TYPE

White cardboard box w/ 5ply corrugated

PACKAGING MEASUREMENT - L X W X H CM

L:22 x W:61 x H:26 cm

WEIGHT PACKAGING - MATERIAL TYPE

- Paper Egg crate: 800 g
- Bestlite key: 18 g
- PE polybag: 1 g
- Screws: 4,5 g
- PE polybag: 60g
- Cardboard outside: 800 g
- Cardboard top: 84 g

WEIGHT PACKAGING - TOTAL

3200 g

NUMBER OF PARCELS

1 pcs.

LIGHT SOURCE

- Socket: E14 base
- Recommended light source: *All fluorescens light bulbs*
- Recommended wattage: 9 W ~ (40 WATT incandescent bulbs)
- Max wattage: 13 W

- Recommended light source: *Halogen light bulb*

- Recommended wattage: 28 W ~ (40 WATT incandescent bulbs)
- Max wattage: 28 W

- All lamps can be fitted with a dimmer.
Please contact your local electrician.

- Lightbulb not included

BESTLITE BL5 // WALL LAMP, HARD WIRED (UNSWITCHED), EU MODEL

Designed by Robert Dudley Best

CLEANING AND MAINTENANCE

Use a soft damp cloth when cleaning your Bestlite lamp. Do not use household cleaners.

ACCESSORIES

ENVIRONMENT

TESTS

CERTIFICATION AND LABELS

CE-CERTIFIED

STOCK - BL5 Hard-wired (unswitched):
No cord, no switch
(to be monted directly on electrical outlet)

- Euro voltage: 230 V
- Frequency: 50 Hz
- Supply voltage: AC power ~
- Normally Closed IP20



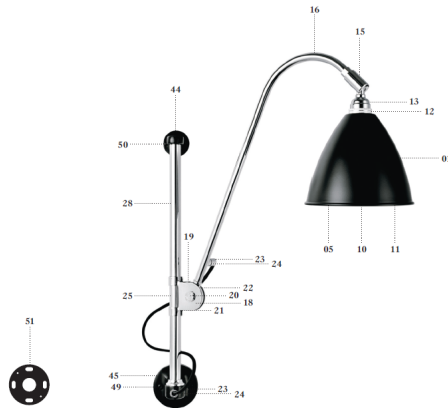
Class II / Double insulated



CE-Mark



Luminaires accepted for mounting on a flammable base



KOMPONENTS

- 01 // Shade Ø16
- 05 // Lamp holder
- 10 // Insulating ring
- 11 // Internal shade ring
- 12 // External shade ring
- 13 // Lamp holder cover
- 15 // Universal joint
- 16 // Bestlite arm
- 18 // Bestlite "clip"
- 19 // Bestlite nut
- 20 // Bestlite bolt
- 21 // Tension spring
- 22 // Fibre washer
- 23 // Cord grip
- 24 // Cord grip cover
- 25 // Acetate
- 44 // Top bracket
- 45 // Wall bracket
- 49 // Screw 9x19 mm
- 50 // Screw 6x36 mm.
- 51 // Mounting plate Ø7 cm

Item no.: 001-0516X

MATERIAL

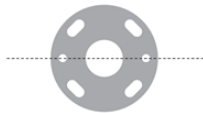
Shade and base: Powder coated aluminium
Tube and arm: Chromed steel

INSTALLATION INSTRUCTIONS

The Bestlite key:

It's a practical tool that enables you to fasten the lamp arm. Simply use it like a screwdriver in the slot in the Bestlite nut.

Warning for assembly:
Cut off at the end of the cable, and use directly on your wall for accurate fitting of the hole. Make sure the drilled hole is level!



Technical information:
Light source: Ø16 LED or other compatible up to 40W halogen bulb.
Not power of other changing light bulb.
The lamp is not approved for outdoor use or use in damp heat rooms.

Some advice on cleaning your Bestlite:
Powder coated parts - base (bracket) and shade:
Wipe the parts with a strong cloth soaked in warm water and a bit of mild detergent.

Chrome plated parts:
Wipe the parts with a strong cloth soaked in warm water and a bit of mild detergent.
If the surface is abraded use a metal polish made especially for chrome or other soft metals.

Use only soft cloths for wiping and polishing, never sponges or steel wool.
Do not use abrasive household cleaners.

Do not use acids or alkaline cleaning products, glass cleaners or household ammonia.



Over the customer:

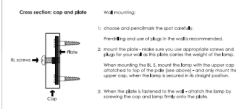
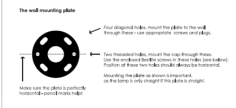
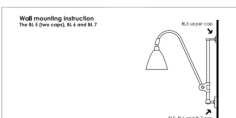
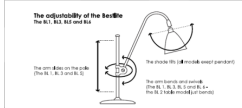
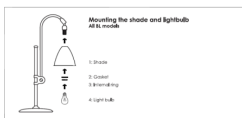
Complete instructions and best practices.

The lamp is designed to be used with a standard wall outlet. It is not designed to be used with a standard wall outlet. It is not designed to be used with a standard wall outlet.

See page 10.

BESTLITE
SINCE 1930

BESTLITE - GUBI, Møllehavevej 74, DK-2100, Copenhagen, Denmark - www.bestlite.com



PRODUCT



Item no.: 001-0523X
+ style code

DESCRIPTION

Bestlite has been in continuous production since 1930. Robert Dudley Best created Bestlite design. He was highly influenced by the Bauhaus. In the past 80 years, people appreciated the lamps and it decorates many homes, hotels and restaurants worldwide. Loved by architects, designers and design aficionados throughout its 80-year history, today, Bestlite enjoys global iconic status.

VERSION - BESTLITE FLOOR LAMP BL5

Shade: Charcoalblack, Matt-White or Grey
Tube and arm: Brass with lacquered surface

Shade and base: Brass with lacquered surface
Tube and arm: Brass with lacquered surface

RAL codes are indicative.

- Fabric wire - Black:
- Charcoal black/Brass / White inside // RAL 9011 / RAL 9003 // Gloss level 20 / Gloss level 20
- Grey w/Brass / White inside // RAL 2604005 / RAL 9003 // Gloss level 30 / Gloss level 20
- Brass w/Brass / White inside // - / RAL 9003 // - / Gloss level 20

- Fabric wire - Off-White:
- Matt-White w/Brass / White inside // RAL 9003 / RAL 9003 // Gloss level 20 / Gloss level 20

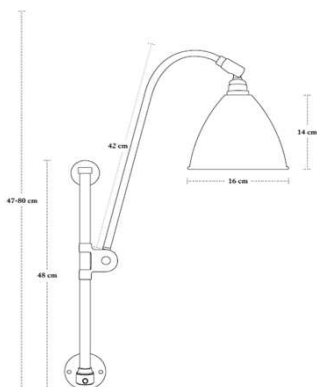
Please contact us for other colours or finishes.

VERSION

Order item - look for part number in the pricelist.

Series contains the following:

BL5, BL6, BL7, BL10



COLOURS



// Charcoal black / Brass



// Grey / Brass



// Matt-White / Brass



// All Brass

FACTS

MEASUREMENT - L X W X H MM

- Lamp height: 470-800 mm
- Tube length: 480 mm
- Shade height: 140 mm
- Shade diameter: Ø160 mm
- Cord - total length w/sw: App. 2400 mm
- Cord - exposed out of lamp: App. 2000 mm

WEIGHT ITEM - LAMP INCL. WIRE
1323 g

PACKAGING TYPE
White cardboard box w/ 5ply corrugated

PACKAGING MEASUREMENT - L X W X H CM
L:22 x W:61 x H:26 cm

WEIGHT PACKAGING - MATERIAL TYPE

- Paper Egg crate: 800 g
- Bestlite key: 18 g
- PE polybag: 1 g
- Screws: 4,5 g
- PE polybag: 60g
- Cardboard outside: 800 g
- Cardboard top: 84 g

WEIGHT PACKAGING - TOTAL
3200 g

NUMBER OF PARCELS
1 pcs.

LIGHT SOURCE

- Socket: E14 base
- Recommended light source: *All fluorescens light bulbs*
- Recommended wattage: 9 W = (40 WATT incandescent bulbs)
- Max wattage: 13 W

- Recommended light source: *Halogen light bulb*
- Recommended wattage: 28 W = (40 WATT incandescent bulbs)
- Max wattage: 28 W

- All lamps can be fitted with a dimmer.
Please contact your local electrician.

- Lightbulb not included

BESTLITE BRASS BL5 // WALL LAMP, HARD WIRED (SWITCHED), EU MODEL

Designed by Robert Dudley Best

BESTLITE COLLECTION

CLEANING AND MAINTENANCE

Use a soft damp cloth when cleaning your Bestlite lamp. Do not use household cleaners.

ACCESSORIES

-

ENVIRONMENT

-

TESTS

-

CERTIFICATION AND LABELS

CE-CERTIFIED

ON DEMAND - (ordered at an additional charge)

ORDERING - BL5 Hard-wired (switched):
No cord, switch on the lamp holder

- Euro voltage: 230 V
- Frequency: 50 Hz
- Supply voltage: AC power ~
- Normally Closed IP20



Class II / Double insulated



CE-Mark

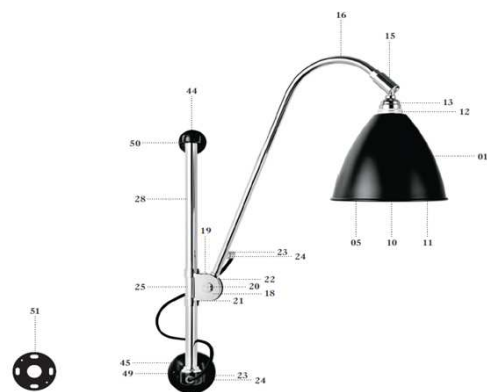


Luminaires accepted for mounting on a flammable base

KOMPONENTS

- 01 // Shade Ø16
- 05 // Lamp holder
- 10 // Insulating ring
- 11 // Internal shade ring
- 12 // External shade ring
- 13 // Lamp holder cover
- 15 // Universal joint
- 16 // Bestlite arm
- 18 // Bestlite "clip"
- 19 // Bestlite nut
- 20 // Bestlite bolt
- 21 // Tension spring
- 22 // Fibre washer
- 23 // Cord grip
- 24 // Cord grip cover
- 25 // Acetate
- 44 // Top bracket
- 45 // Wall bracket
- 49 // Screw 9x19 mm
- 50 // Screw 6x36 mm
- 51 // Mounting plate Ø7 cm

Item no.: 001-0529X



XX // Switch on lampholder

MATERIAL

Shade: Charcoalblack, White or Grey
Tube and arm: Brass with lacquered surface

Shade and base: Brass with lacquered surface

Tube and arm: Brass with lacquered surface

INSTALLATION INSTRUCTIONS

The Bestlite key:

It's a practical tool that enables you to fasten the lamp arm. Simply use it like a screwdriver in the slot in the Bestlite nut.

1) Important for installation:
Do not use a screwdriver or other sharp tool on your wall for accurate marking of the holes.
Mark over the mounting plate!



Technical information:

Light source: 2x E14 40W incandescent or 40W halogen bulb.
For power of more than 40W/80W bulb:
The lamp is not approved for outdoor use or use in damp locations.

Some advice on cleaning your Bestlite:

Prevent contact plates to become scratched and discolored.
Wipe the lamp with a damp cloth soaked in warm water and a bit of mild detergent.

Choose polished parts:

Wipe the lamp with a damp cloth and water only to bring to shine.
If the surface is already used or worn, polish made especially for aluminium or other soft metals.

Use only soft cloth for wiping and polishing, never sponges or other tools.
Do not use abrasive household cleaners.
Do not use acids or other cleaning methods, glass cleaner or household chemicals.

BESTLITE - GUBI, Møllehavevej 7, 4, DK-2100, Copenhagen, Denmark - www.bestlite.com



BESTLITE
GUBI

