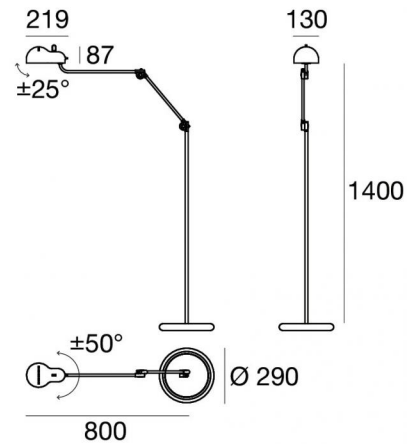
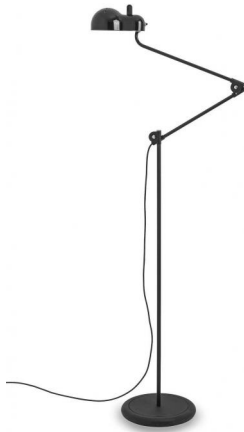




Table Lamps | 220-240 V | 1xE27
9082



Technical data	
Construction year	2021
Type	Table Lamps
Installation position	Floor
Installation environment	Indoor
Power	1 x 7 W
Lamp cap	1 x E27
Frequency	50-60 Hz
Optics	General Lighting
Light emission direction	downward
Safety class	2
IP	IP20
Glow wire test	650°
Direct mounting on normally flammable surfaces	Yes
CE	Yes
Dimmable article	No
Directional	No
Tilting	Yes
total angle (horizontal plane)	100 °
total angle (vertical plane)	50 °
Walk-over	No
Drive-over	No
Cable included	Yes
Cable length	2.5 m
Electric socket	Type C
Resin potting	No

Finishing casing	
Material	Iron
Processing	Coating



Table Lamps | 220-240 V | 1xE27
9082

Single emission table lamps for indoor application. LED lamplamp included, lamp cap 1xE27.

The device body is made of iron, processed by means of coating. The ingress protection degree is IP20;

. The power supply cable is included and features a 2.5 m lenght.

The device features protection class II and can be floor-mounted.

Compliant with the EN 60598-1 standard and its specific provisions.

Illuminotechnical Features	
Source lumens	806 lm
Colour temperature	2700 K
Colour rendering index	80 Ra
Junction temperature (lighting fixture)	80
Standard Operating Ambient Temperature	25