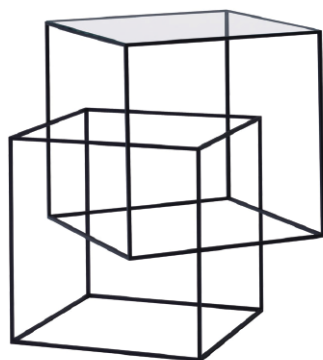


THIN BLACK TABLE

Nendo

cappellini



A delicate yet striking creation: a low geometrical table created by the intersection of two offset cubes. The L-shaped upper profile supports an extra-light glass table top. The iron base, coated with matt black powder epoxy, creates a series of joints and transparencies reminiscent of Escher's maze designs.

Materials used_

Top:

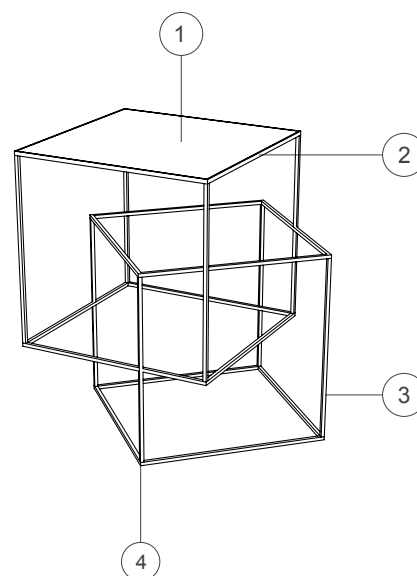
1. Tempered glass extralight

Structure:

2. Frame support plan sheet metal laser-cut and folded, epoxy powder coated black with black rubber to support plan
3. Metal bar with square section, painted with black epoxy powder

Feet:

4. Black rubber



Dimensions_

TBT1



51
20"

47
18 1/2"

47
18 1/2"

