

MILLENIUM HOPE

Claudio Silvestrin

cappellini



Table and bench in walnut from five different countries: Australia, Africa, America, Asia and Europe. Available in natural or wenge-stained oak.

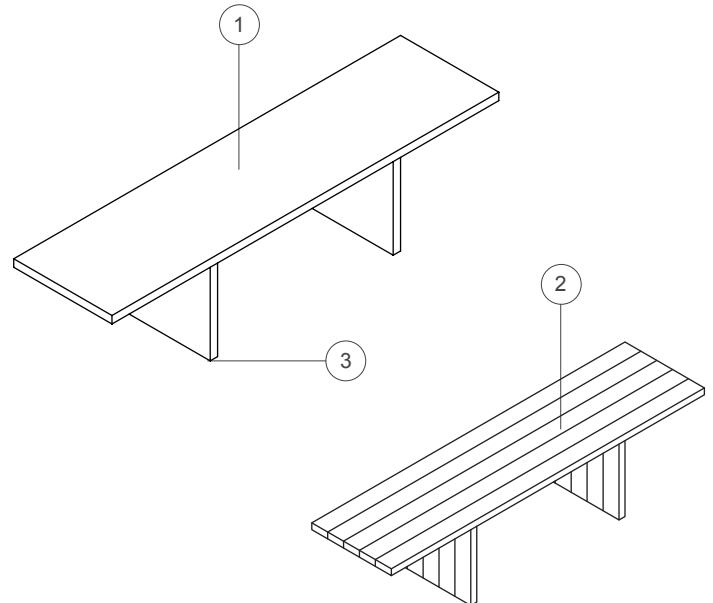
Used materials

Top and legs:

1. Slats of wood particles veneered in natural walnut in five different qualities
2. Honeycomb fir and medium-density fiber conglomerate panels, veneered in natural natural oak or wenge-stained oak.

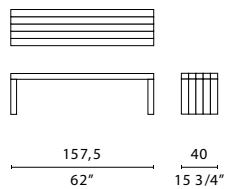
Feet:

3. Black rubber

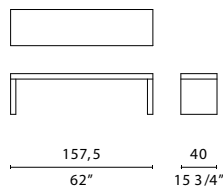


Dimensions

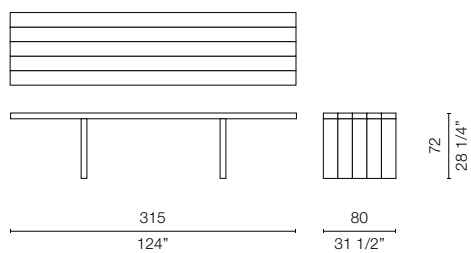
MH_1



MH_1R



MH_2



MH_2R

