

# Mirto Indoor

CHAIRS

2014

Antonio Citterio



## Description

---

Elegant and essential in design, the Mirto Indoor chairs express a timeless elegance that transcends time and fashions. They come in a fixed version, with or without armrests, and in a folding version, reinterpreting the classic director's chair. Joined by die-cast aluminium frames in a variety of finishes, they come with precious thick, full grain leather covers in sophisticated hues. For the folding version only, Laguna technical fabric is offered as an alternative to the thick leather upholstery.

## Technical information

---

**Frame**

die-cast aluminium

**Internal components**

thermoplastic material and steel

**Ferrules**

thermoplastic elastomer

**Cover**

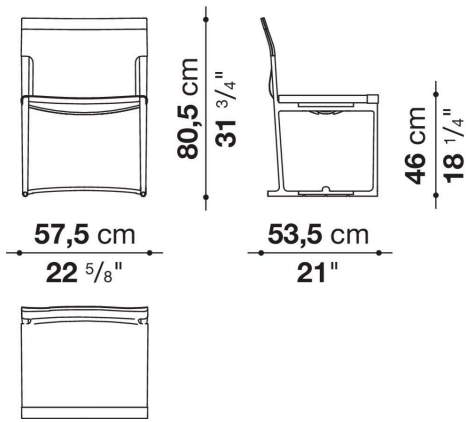
thick leather

**Cover (IM59SP)**

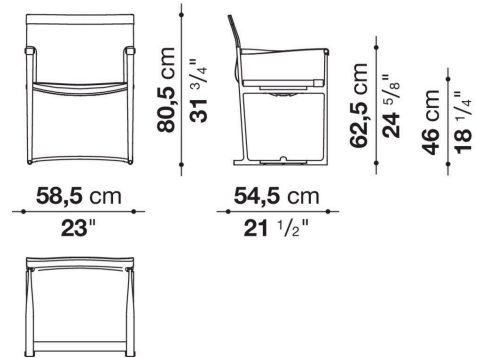
thick leather or fabric Laguna

# Technical drawings

## IM58



## IM58B



## IM59SP

