



# COPENHAGEN PENDANT SC8

BY SPACE COPENHAGEN  
2014

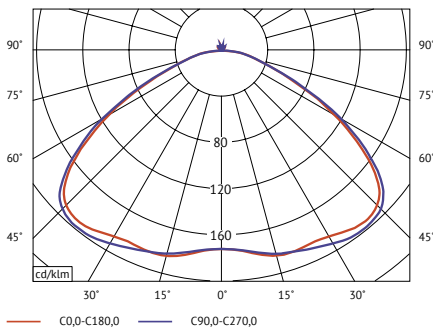
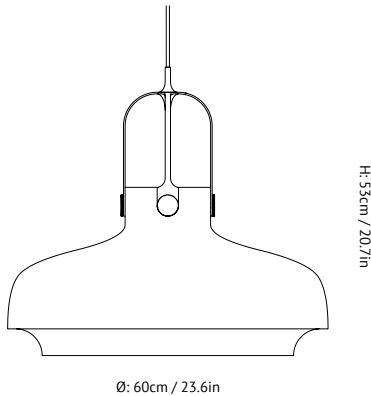


# COPENHAGEN PENDANT SC8

BY SPACE COPENHAGEN  
2014

“Our ambition was to design a pendant with a simple industrial feel, but which was still elegant and poetic.”

The Copenhagen Pendant is an exercise in contrasts. Combining the classic and the modern, the maritime and the industrial, it is a new pendant developed by Space Copenhagen for &tradition. Following the success of their first collaboration, the Fly Lounge Series, &tradition have worked with Space Copenhagen again to produce a pendant range in matt lacquered metal, one of Space Copenhagen's first lights to enter production.



Photometric data file (LDT or IES) available upon request.

<b>Product type</b>	Pendant.
<b>Production Process</b>	The shade is spunn into shape from a single piece of metal and matt lacquered. The suspension is made from milled and laser cut steel which undergoes a special plating process to produce the desired matt finish to compliment the shade.
<b>Environment</b>	Indoor.
<b>Dimensions ( cm / in )</b>	Ø: 60cm/23.6in, H: 53cm/20.7in.
<b>Weight ( kg )</b>	4.50 kg.
<b>Materials</b>	Lacquered aluminum shade with plated steel suspension, 6 meter fabric cord with safety wire.
<b>Colours</b>	Matt black.
<b>Voltage (V)</b>	220-240V - 50Hz.
<b>Light source &amp; Energi efficiency class</b>	E27 Max 150 Watt. The luminaire is compatible with bulbs of the energy classes: A++ - E. Bulb is not included.
<b>Certifications</b>	CE, IP20, Class II.
<b>Canopy</b>	Included.
<b>Cord lenght / diameter ( cm / in )</b>	600cm/236.2in.
<b>Cleaning Instructions</b>	Clean with soft dry cloth. Always switch off the electricity supply before cleaning.
<b>Package Dimensions (cm / in)</b>	H: 60.0cm/23.6in x W: 65.0cm25.6in x D: 65.0 cm/25.6in.

**PRODUCT**



**COLOR**



Matt black