

# FRITZ HANSEN



PELAGUS  
PRODUCT FACT SHEET

# PELAGUS

Pelagus has a graceful contemporary expression that sits lightly in nature and holds its own in urban environments. The collection is high on comfort and versatility. It is furniture that suits a lifestyle as diverse as that lived in urban cosmopolitans or far from the city and grounded in nature.

## PRODUCT TYPE

Chair/Armchair  
Counter/Bar Stool  
Lounge chair  
Sunbed  
High table  
Table

## ENVIRONMENT

Outdoor

## DESIGNER

Note Design Studio

## MODELS

Chair  
Armchair  
Counter Stool  
Bar Stool  
Lounge Chair  
Sunbed  
Armrest  
High Table, 95  
High Table, 105  
Café Table  
Table, 75×75  
Table  
Extension Plate

## MATERIAL

Wood: Teak (Untreated)  
Textile: Sling  
Metal: Powder coated aluminium (Textured),  
Powder coated steel\* (Textured)

## FEATURES

- Chair: Stackable (up to 4 chairs)
- Armchair: Stackable (up to 2 chairs)
- Counter/Bar Stool: Stackable (up to 4 chairs)
- Sunbed: Wheels makes it easy to move around
- Sunbed: 5 reclining positions
- Armrest: Can be added to one or both sides of the Sunbed
- High/Café Table: Dual-purpose hook under tabletop for locking tables together and holding a small bag
- Table: Extendable (two extension plates can be added and stored on the frame underneath the tabletop when not in use, not included in the Table)
- Cushions (Please find further details on p. 7-9)

## COLOURS



## MADE-TO-ORDER

N/A

## CERTIFICATION

- FSC™ FSC-C120451: The wood used for Pelagus is FSC-certified (FSC 100%). The FSC-certification ensures the wood is from responsible and environmentally managed forests that preserve the natural surroundings and support the local community.

For more information about environment and manufacturing processes, please download our environmental information sheet at: [fritzhanzen.com](http://fritzhanzen.com)

## TEST

### Seating:

- EN 581-1: General Safety Requirements for outdoor furniture - Contract level
- EN 581-2: Mechanical Safety Requirements for outdoor seating furniture - Contract level
- ANSI/BIFMA X5.4-2020: Public and Lounge Seating

### Sunbed:

- EN 581-1: General Safety Requirements for outdoor furniture - Contract level
- EN 581-2: Mechanical Safety Requirements for outdoor seating furniture - Contract level

### Tables:

- EN 581-1: General Safety Requirements for outdoor furniture - Contract level
- EN 581-3: Mechanical Safety Requirements for outdoor tables - Contract level
- ANSI/BIFMA X5.5-2021: Desk and Table Products

## SPECIFICATIONS

### Wood:

New wooden, teak furniture has natural colour differences found in the freshly cut wood. Once the furniture has been exposed to the sun, these colour differences will even out. As a natural part of the aging process, the surface of teak will change when first being exposed to rain; this is the first stage of a process of wood that ages with beauty.

\*Apply to High Table, 95 / High Table, 105 / Café Table

**Metal:**

Aluminium is a lightweight, non-corrosive and recyclable metal that is both strong and flexible. Powder coating is used as a metal finish on the aluminium surface. The dry coating process whereby pigments are applied to metal surfaces is cured with heat for a durable, protective finish. Fritz Hansen uses powder coating on chairs, tables, shelving systems and other furniture items.

Stainless steel is a durable, corrosion-resistant metal known for its strength and flexibility, making it an ideal choice for outdoor furniture. A powder coating is applied to the stainless-steel surface through a dry coating process, where pigments are adhered to the metal with heat, creating a long-lasting, protective finish.

**Textile:**

Sling textile is a water-repellent textile with high UV resistance, which makes it a good choice for outdoor use. It is made of 100% Woven Vinyl-Coated Polyester and is therefore very durable in changing summer weather and keeps the furniture seat and back from sagging.

**WEIGHT**

- Chair: 5,1 kg / 11.2 lb
- Armchair: 6 kg / 13.1 lb
- Counter Stool: 5,7 kg / 12.6 lb
- Bar Stool: 6 kg / 13.2 lb
- Lounge Chair: 8,4 kg / 18.4 lb
- Sunbed: 17,2 kg / 37.8 lb
- Armrest: 18 kg / 39.7 lb
- High Table, 95: 10,1 kg / 22.3 lb
- High Table, 105: 10,3 kg / 22.7 lb
- Café Table: 9,6 kg / 21.2 lb
- Table, 75×75: 15,2 kg / 33.5 lb
- Table: 30 kg / 66.1 lb
- Extension Plate: 9,4 kg / 20.7 lb

**COUNTRY OF ORIGIN**

Wood origin: Indonesia

**PRE-ASSEMBLED**

- Chair: Yes
- Armchair: Yes
- Counter Stool: Yes
- Bar Stool: Yes
- Lounge Chair: Yes
- Sunbed: Yes
- Armrest: Yes, but needs to be mounted on sunbed
- High Table, 95: No
- High Table, 105: No
- Café Table: No
- Table, 75×75: No
- Table: No
- Extension Plate: Yes, but needs to be mounted on table

**PACKAGING**

The units are shipped in cardboard box. All packaging material can be recycled.

**CLEANING AND CARE**

Find recommendations for cleaning and care at: [fritzhansen.com/maintenance](https://fritzhansen.com/maintenance)

**REPAIR, DISPOSAL AND REUSE**

In case of repair and disposal the units can be disassembled into parts. All parts can be recycled. Check local regulations for recycling options and whether there is potential for reuse.

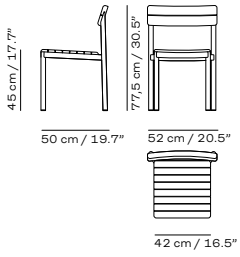
**WARRANTY**

Fritz Hansen provides a five-year warranty on standard products against defects in materials and workmanship.

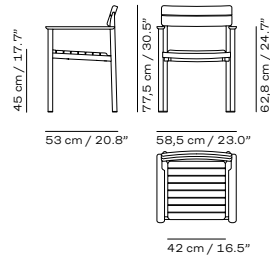
Additional warranty conditions can be found at: [fritzhansen.com/warranty](https://fritzhansen.com/warranty)

## DIMENSIONS

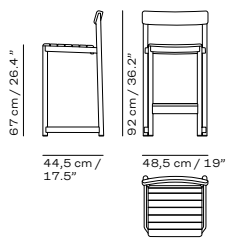
### CHAIR



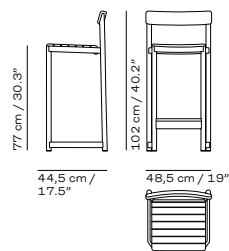
### ARMCHAIR



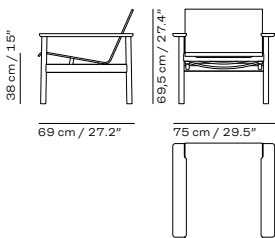
### COUNTER STOOL



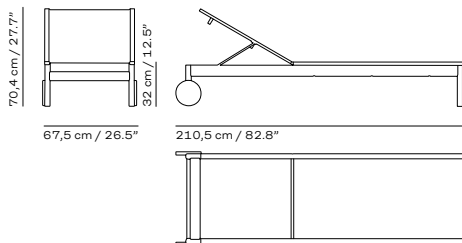
### BAR STOOL



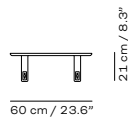
### LOUNGE CHAIR



### SUNBED

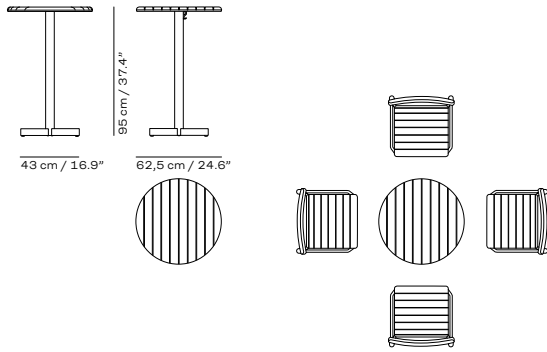


### ARMREST

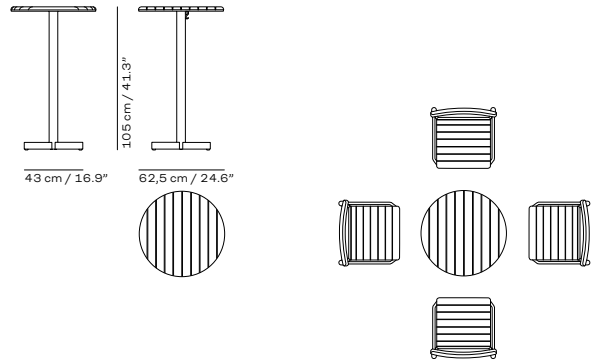


**DIMENSIONS**

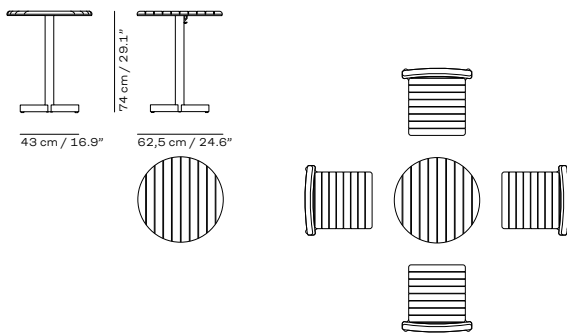
**HIGH TABLE, 95**



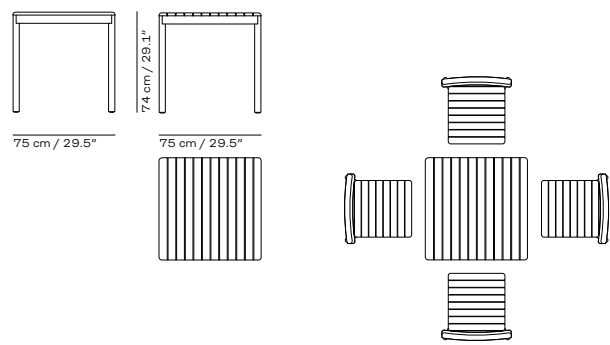
**HIGH TABLE, 105**



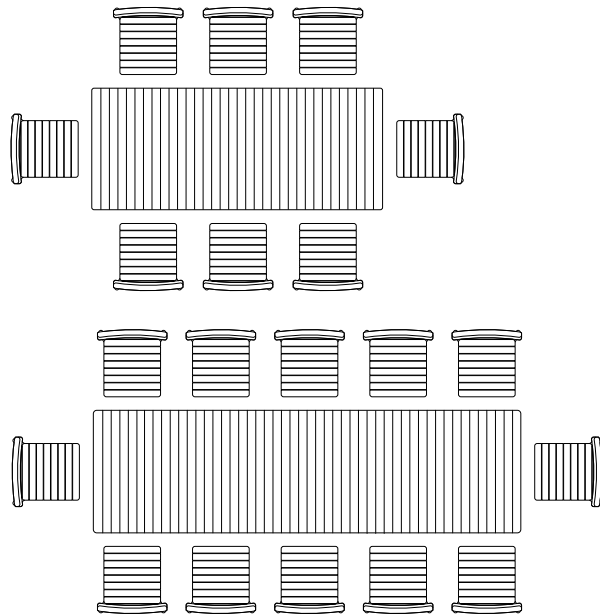
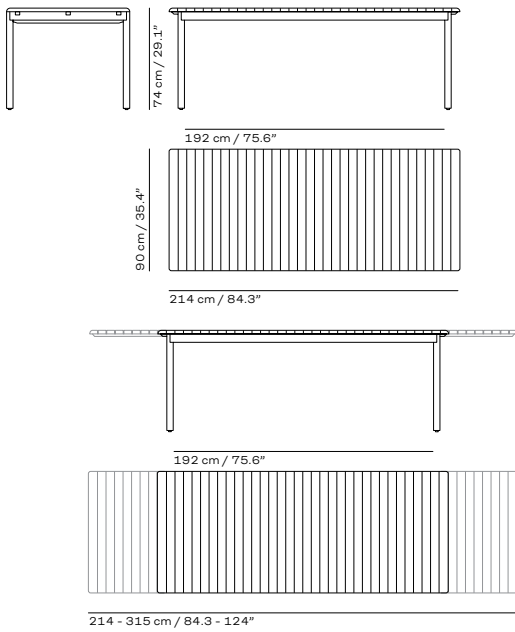
**CAFÉ TABLE**



**TABLE, 75X75**



**TABLE**



**EXTENSION PLATE**



**VARIANTS**

CHAIR



LIGHT IVORY  
1430054

CHAIR



HUNTER GREEN  
1430059

ARMCHAIR



LIGHT IVORY  
1430056

ARMCHAIR



HUNTER GREEN  
1430060

COUNTER STOOL



LIGHT IVORY  
1430066

COUNTER STOOL



HUNTER GREEN  
1430065

BAR STOOL



LIGHT IVORY  
1430068

BAR STOOL



HUNTER GREEN  
1430067

LOUNGE CHAIR



TEAK  
1430050

SUNBED



TEAK  
1430055

ARMREST



TEAK  
1430061

CAFÉ TABLE



LIGHT IVORY  
1430070

CAFÉ TABLE



HUNTER GREEN  
1430069

HIGH TABLE, 95



LIGHT IVORY  
1430072

HIGH TABLE, 95



HUNTER GREEN  
1430071

HIGH TABLE, 105



LIGHT IVORY  
1430074

HIGH TABLE, 105



HUNTER GREEN  
1430073

TABLE, 75×75



LIGHT IVORY  
1430064

TABLE, 75×75



HUNTER GREEN  
1430063

TABLE



LIGHT IVORY  
1430053

TABLE



HUNTER GREEN  
1430058

EXTENSION PLATE



TEAK  
1430062

# CUSHIONS

## DESCRIPTION

Add extra softness and comfort to the Pelagus series. Covered in a weatherproof and durable textile, the cushions are filled with a resilient quick-dry outdoor foam filling that provides firm and comfortable support that remains the same year after year.

## ENVIRONMENT

Outdoor

## DESIGNER

Note Design Studio

## MODELS

Armchair/Chair Cushion  
Counter/Bar Stool Cushion  
Lounge Chair Cushion  
Sunbed Cushion

## MATERIAL

Outdoor textile  
Quickdry outdoor foam

The cushion range for the UK/IE is different from the main collection in order to meet local fire regulations\*.

## UPHOLSTERY

The following selection of textiles\* is available:



HONEY YELLOW

ASH

CHARCOAL

## MADE-TO-ORDER

N/A

## CERTIFICATION

Textiles: Oeko-Tex®.

For more information about environment and manufacturing processes, please download our environmental information sheet at: [fritzhanzen.com](http://fritzhanzen.com)

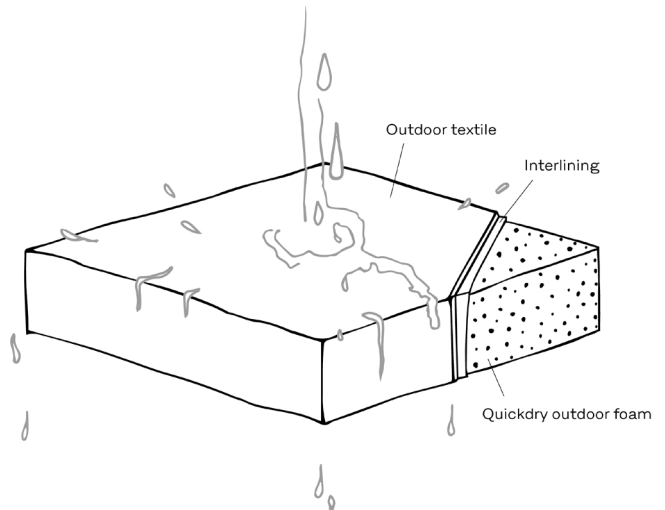
## TEST

N/A

## SPECIFICATIONS\*

The quickdry outdoor foam provides a firm and comfortable seat that retains its shape year after year. The open-cell structure allows both water and air to pass through ensuring the cushion dries exceptionally quickly, even after a heavy downpour. To ensure cushions remain beautiful over time, it is good practice to avoid them being left wet for prolonged periods, e.g., by turning them upright to let water run off or storing them in a dry environment.

\*For details specific to UK/IE go to p. 9.



## WEIGHT

Armchair/Chair Cushion: 0,4 kg / 0.8 lb  
Counter/Bar Stool Cushion: 0,5 kg / 1.1 lb  
Lounge Chair Cushion: 2,8 kg / 6.1 lb  
Sunbed Cushion: 3,9 kg / 8.6 lb

## COUNTRY OF ORIGIN

Produced in: Spain

## PRE-ASSEMBLED

Yes

## PACKAGING

The units are wrapped in a plastic bag. All packaging material can be recycled.

## CLEANING AND CARE

Find recommendations for cleaning and care at: [fritzhanzen.com/maintenance](http://fritzhanzen.com/maintenance)

**REPAIR, DISPOSAL AND REUSE**

In case of repair and disposal the units can be disassembled into parts. All parts can be recycled. Check local regulations for recycling options and whether there is potential for reuse.

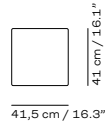
**WARRANTY**

Fritz Hansen provides a five-year warranty on standard products against defects in materials and workmanship.

Additional warranty conditions can be found at: [fritzhansen.com/warranty](http://fritzhansen.com/warranty)

**DIMENSIONS**

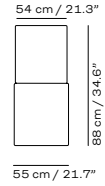
**ARMCHAIR/CHAIR CUSHION**



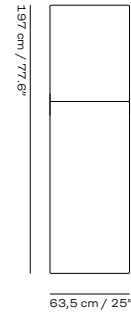
**COUNTER/BAR STOOL CUSHION**



**LOUNGE CHAIR CUSHION**



**SUNBED CUSHION**



**VARIANTS\***

**ARMCHAIR/CHAIR CUSHION**

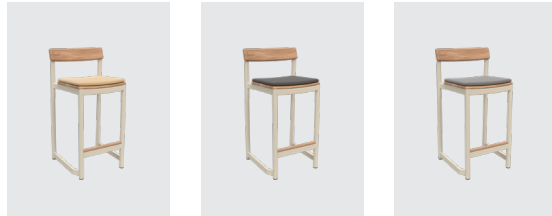


HONEY YELLOW  
1961055

CHARCOAL  
1961102

ASH  
1961105

**COUNTER/BAR STOOL CUSHION**



HONEY YELLOW  
1961275

CHARCOAL  
1961276

ASH  
1961277

**LOUNGE CHAIR CUSHION**



HONEY YELLOW  
1961054

CHARCOAL  
1961104

ASH  
1961107

**SUNBED CUSHION**



HONEY YELLOW  
1961056

CHARCOAL  
1961103

ASH  
1961106

\*For details specific to UK/IE go to p. 9.



## VARIANTS (UK/IE)

### ARMCHAIR/CHAIR CUSHION



CHARCOAL  
1961075



ASH  
1961085

### COUNTER/BAR STOOL CUSHION



CHARCOAL  
1961278

### LOUNGE CHAIR CUSHION



CHARCOAL  
1961077



ASH  
1961087

### SUNBED CUSHION



CHARCOAL  
1961076



ASH  
1961086

#### IMPORTANT NOTE!

Under current UK law, Fritz Hansen is not able to provide outdoor cushions and pillows with the same filling as the regular collection. We still offer cushions and pillows in an outdoor textile with weatherproof properties, but the filling is not weatherproof due to stringent (indoor) fire regulations. We therefore recommend that you bring cushions and pillows indoors in heavy rain and when they are not in use.

The FR cold foam provides a firm and comfortable seat that retains its shape year after year. The FR cold foam is not weather resistant, and therefore it is recommended to store the cushions indoors when not in use and during heavy downpour. To ensure cushions remain beautiful over time, it is good practice to avoid them being left wet for prolonged periods, e.g., by turning them upright to let water run off or storing them in a dry environment.