
Alcor Consoles

STORAGE UNITS

Antonio Citterio



Description

Available in a large or smaller size and two different heights, medium and high, these consoles solve any storage need with the help of its drawers.

Technical information

External frame:

patinated graphite grey painted, patinated brown painted, soia shellac type finish painted, red shellac type finish painted or black shellac type finish painted MDF wood fibre panel

Drawer front:

patinated graphite grey painted, patinated brown painted, soia shellac type finish painted, red shellac type finish painted or black shellac type finish painted MDF wood fibre panel

Drawers frame:

painted MDF wood fibre panel and bottom base in wood particles with melaminated faced cover

Handle:

bronze nickel painted die-cast zama

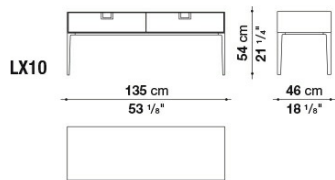
Support frame:

patinated graphite grey painted, patinated brown painted, soia shellac type finish painted, red shellac type finish painted or black shellac type finish painted die-cast aluminium and extrusions

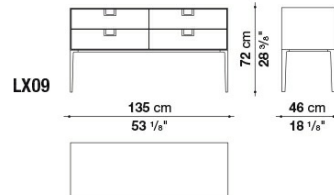
Adjustable feet:

thermoplastic material

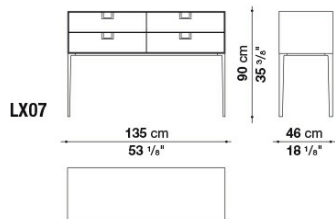
Technical drawings



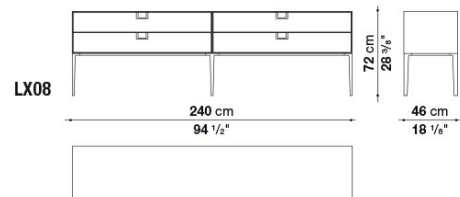
LX10



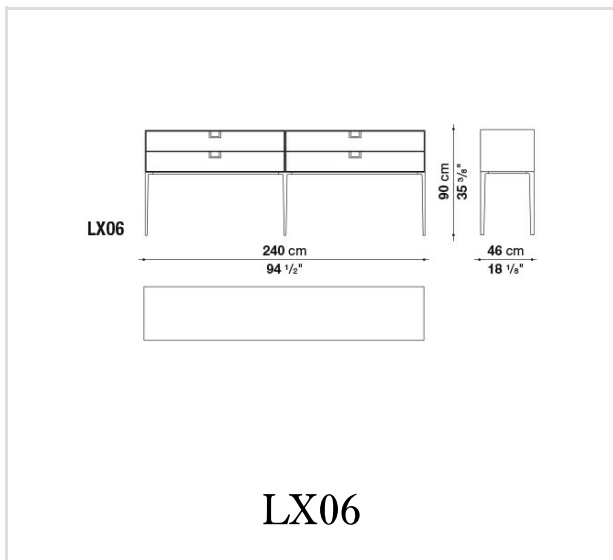
LX09



LX07



LX08



B&B Italia reserves the right to make technological and aesthetic improvements to its models, including changes to the sizes and materials, without notice. The technical drawings do not define the details of the product. The measurements shown are indicative and may undergo changes. In particular, the dimensions relevant to the padded parts are subject to usage tolerances over time caused by the normal adjustment of the padding. For the specific information, please contact the dealer closest to you.