



Chemise



Chemise XL

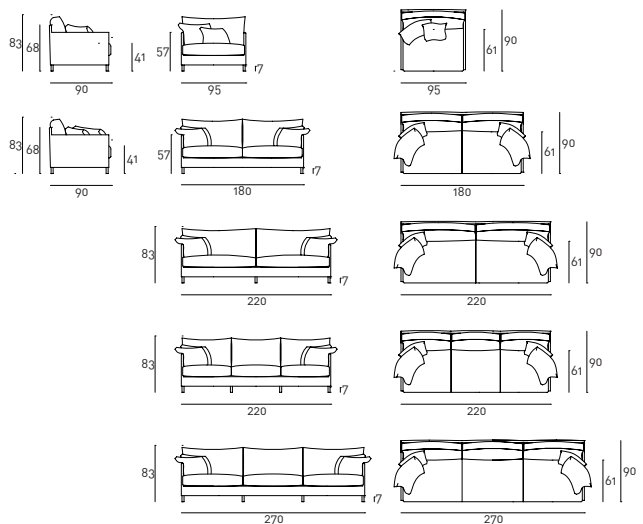


Chemise XL armchairs

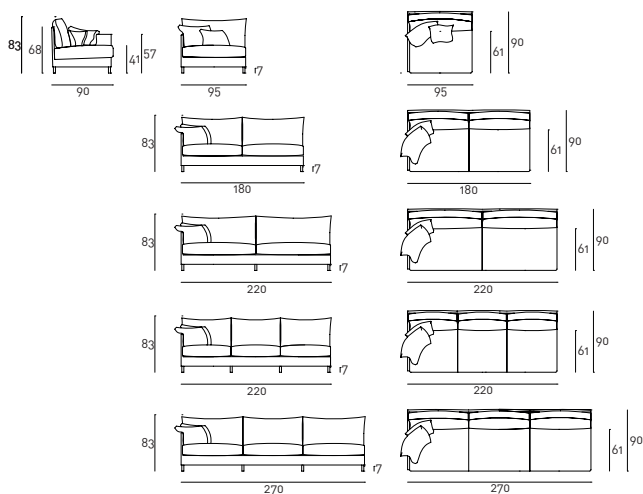
Chemise – Chemise XL

design Piero Lissoni

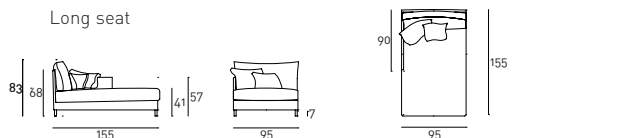
Fix or modular sofa and armchair. Supporting frame in lacquered drawn tubular steel. Seat chassis in fir wood, with cross-woven, coated rubber elastic straps. Backrest and armrest frames made with a structural elastic material. Covering in 100% polyether thermally bonded onto a polyamide velveteen backing. Seat cushions with differentiated density polyurethane foam insert coated with prewashed and sterilized goose down, stitched into separate compartments, or covered with acrylic fibre layers. Armrest, backrest cushions and supporting pillows in prewashed and sterilized goose down, stitched into separate compartments. Feet in AISI 304 stainless steel with matt satin-finish, on request available in natural or ebony-dyed oak. Fabric or leather upholstery, both fully removable by zippers and Velcro fastenings. Standard flounce 7cm from the floor for fabric upholstery only, on request available also without flounce. The leather version is always without flounce. Seat depth 61-81cm.



End elements

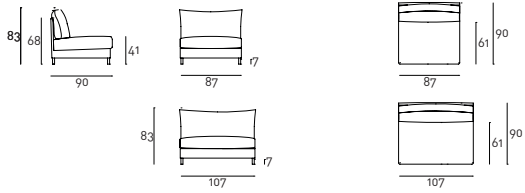


Long seat

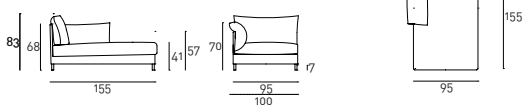


Chemise – Chemise XL
design Piero Lissoni

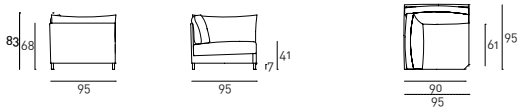
Elements without armrest



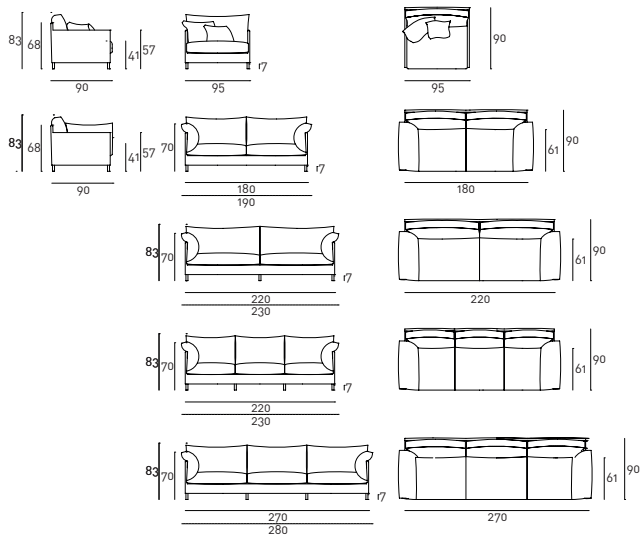
Long seat with armrest cushions



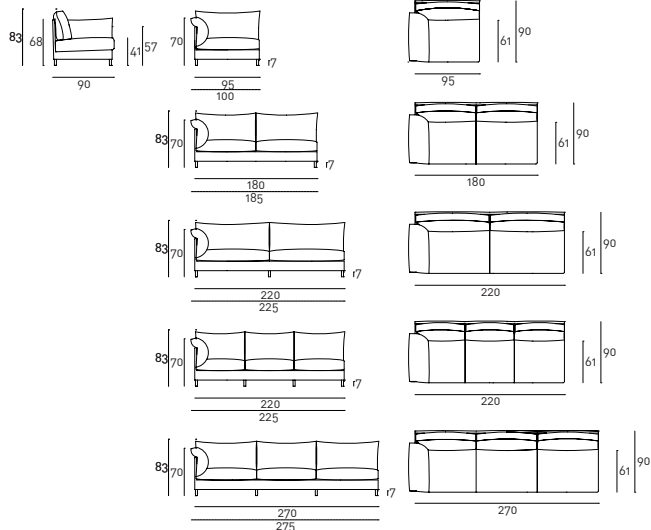
Corner element



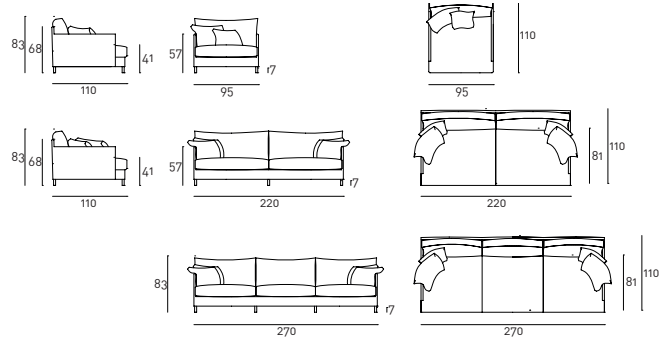
Sofa with armrest cushions



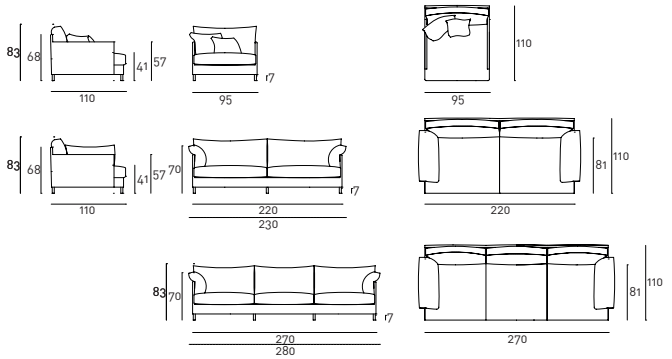
Elements with armrest cushions



Chemise XL



Chemise XL with armrest cushions



Footrest



Cushions

