

ASSEMBLY INSTRUCTIONS

Nockeby Table
Design: Sven Markelius

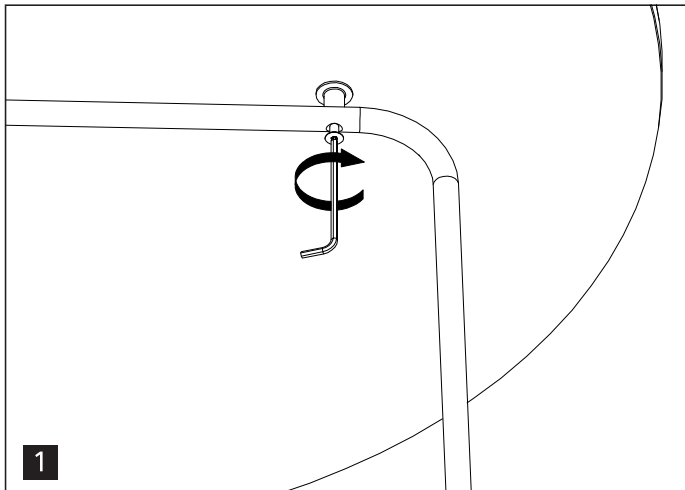
Parts



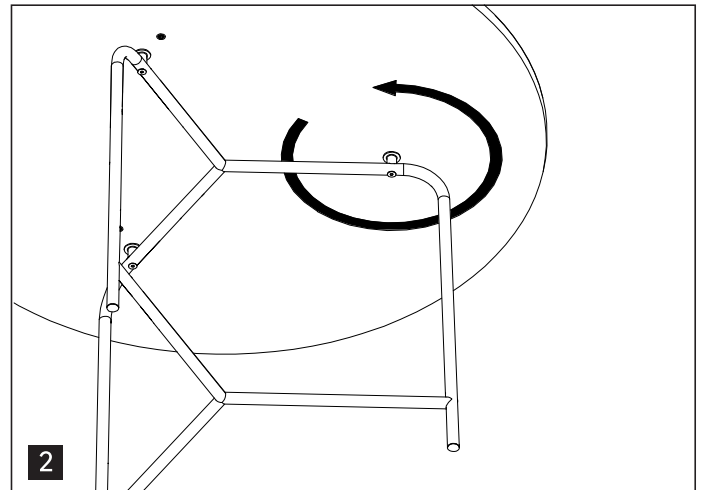
X 3
Screw



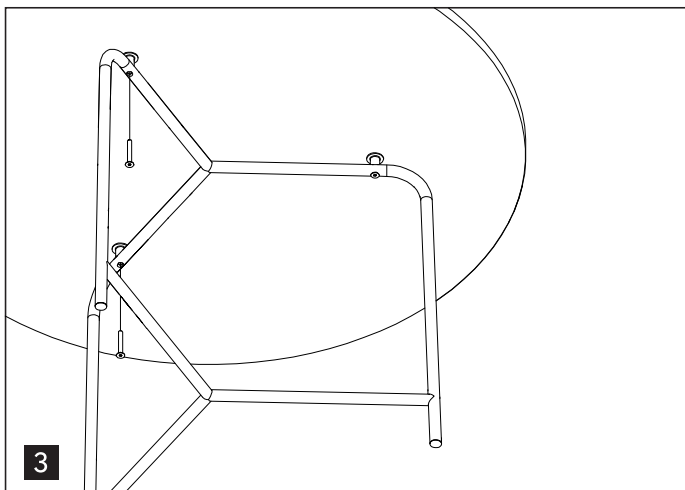
X 1
Allen key



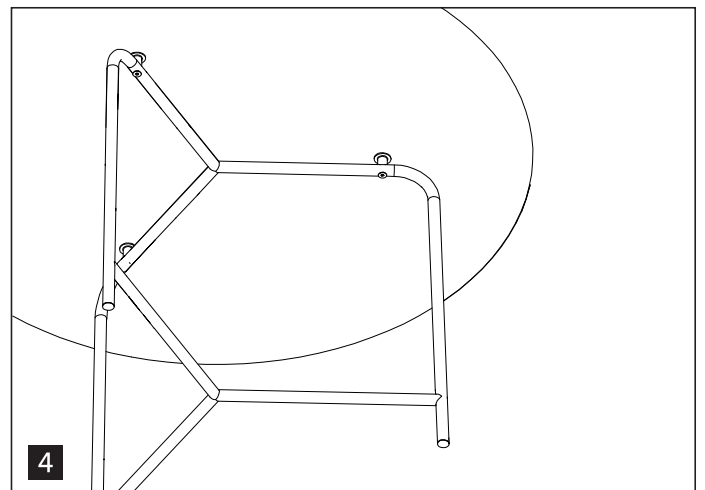
1
Place the tabletop onto the base. Align one of the three screw holes with a spacer. Insert and secure the screw, but do not fully tighten it yet.



2
Gently rotate the tabletop until the remaining two screw holes align with their corresponding spacers.



3
Insert and secure the remaining two screws, but do not fully tighten them yet



4
Gradually tighten all three screws to ensure a secure and even fit.