



Stackable stool created in metal tube and steel sheet, seat laser cut, feet in black plastic. Available in two heights, it is offered in matt paint mustard, blue, green, white and anthracite colors.

Used materials

Seat:

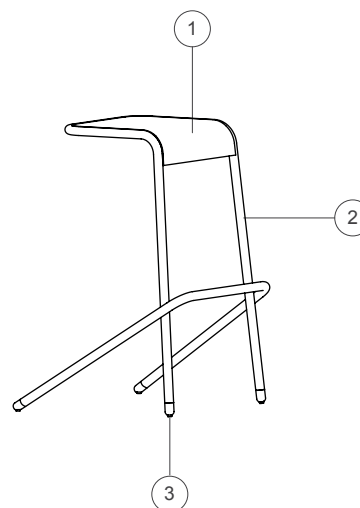
1. Laser-cut metal plate, matt varnished in the colors blue, white, green, anthracite or mustard

Structure:

2. Metal tube matt varnished in the seat colors

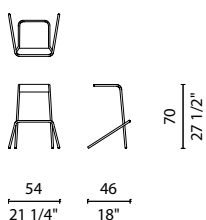
Feet:

3. Black polypropylene



Dimensions

LD1



LD2

