

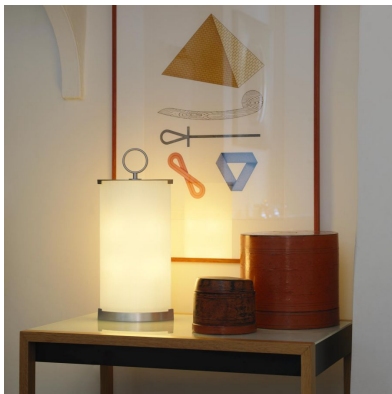
PIRELLONE

Gio Ponti, 1967

Pirellone has been a lighting classic for 40 years. Two pieces of curved glass held in place by metal elements at the base and the top: the secret of this simple structure lies in the use of special impact-resistant glass.



RELATED PRODUCTS

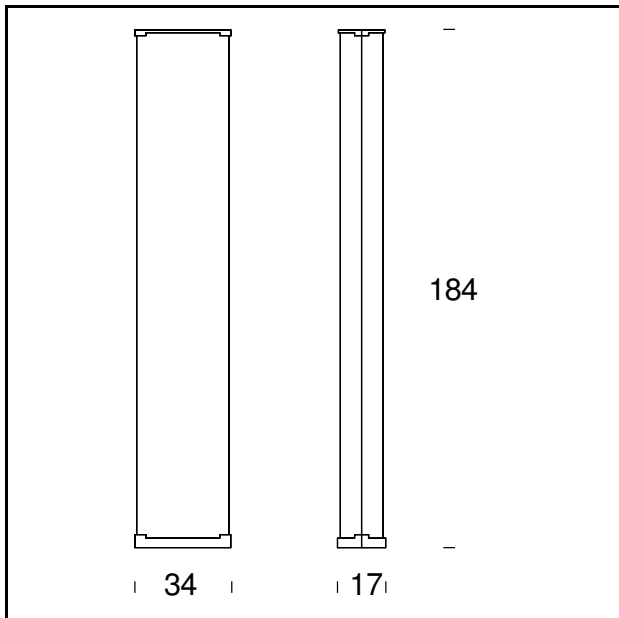


PIRELLINA

Table Lamp

TECHNICAL SHEET

Floor lamp with dual emission for soft and indirect beam. Frame in satined nickel-plated brass. Diffusers in pressed curved glass. Black power cable and plug.



MODEL NAME: Pirellone

CODE: 2758

DIMENSIONS: 34 x 17 x 184 cm

MATERIALS: Glass

BULB: 10×40W (HA) or 10×33W (HA) Eco Saver G9 + 1×230W (HA) Eco Saver R7s/115

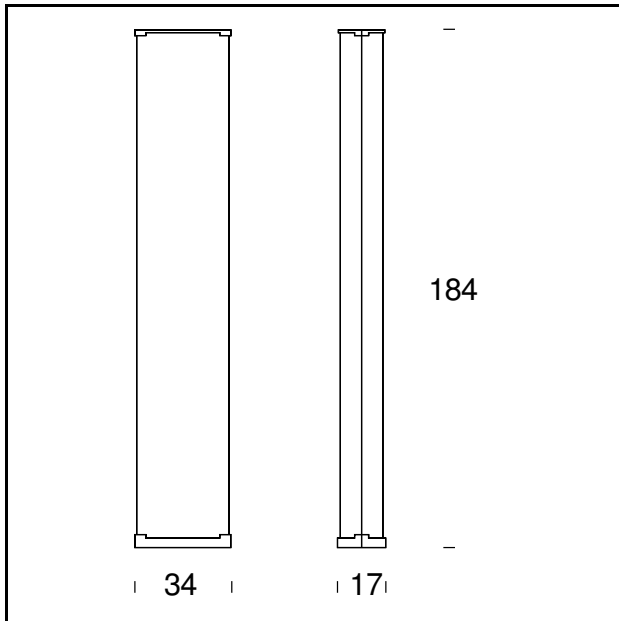
PLUG: Black

POWER CORD: Black

DIMMER: Double dimmer

CERTIFICATIONS AND SYMBOLS:





MODEL NAME: Pirellone LED

CODE: 2758/LED

DIMENSIONS: 34 x 17 x 184 cm

MATERIALS: Glass

BULB: 10x3,5W LED G9 (3000K, CRI 80, 400 Lm) + 1x10W Led R7s/115 (3000K, CRI 80, 1055 Lm)

PLUG: Black

POWER CORD: Black

CERTIFICATIONS AND SYMBOLS:



Subject to technical modifications and modifications to content