

Counterweight

Series
Counterweight

Product
Pendant

Dimensions
L 64in/163cm x W 2.5in/6cm x
H 12in/30cm

Weight
13lb/6kg

Pendant

Materials
Wood, brass, Carrera marble, glass

Finishes
Ash/brass, walnut/brass

Suspension
Aircraft cable

Canopy
10 x 4-inch rectangle in matching metal
finish

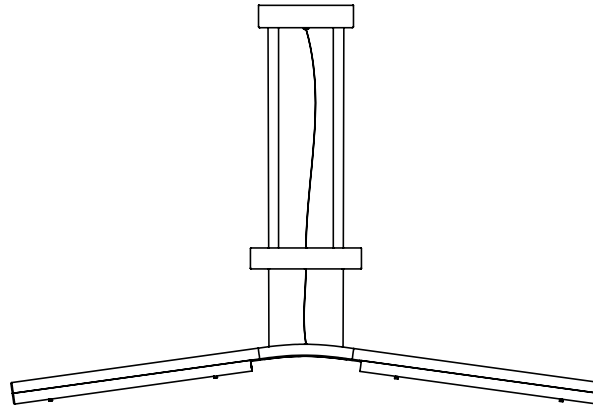
Certifications
UL, cUL (120V)
CE/CB (240V)


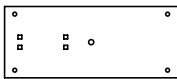




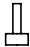
120V Illumination
Integrated LED
Wattage: 28 Watts
Lumens: 2700 Lumens
Color Temperature: 2700 Kelvin
Life Hours: 50,000
Dimming: ELV or 0-10V

240V Illumination
Integrated LED
Wattage: 28 Watts
Lumens: 2700 Lumens
Color Temperature: 2700 Kelvin
Life Hours: 50,000
Dimming: ELV or 0-10V

CONTENTS

Counterweight Pendant



<p>Canopy</p> 	<p>Custom Hanging Bar Assembly</p> 	<p>Custom Glass</p> 	
<p>Crossbar 1/4-20</p> 	<p>Brass Bushing</p> 	<p>8-32 Crossbar Screws (2)</p> 	<p>8-32 Thumb Screws (4)</p> 

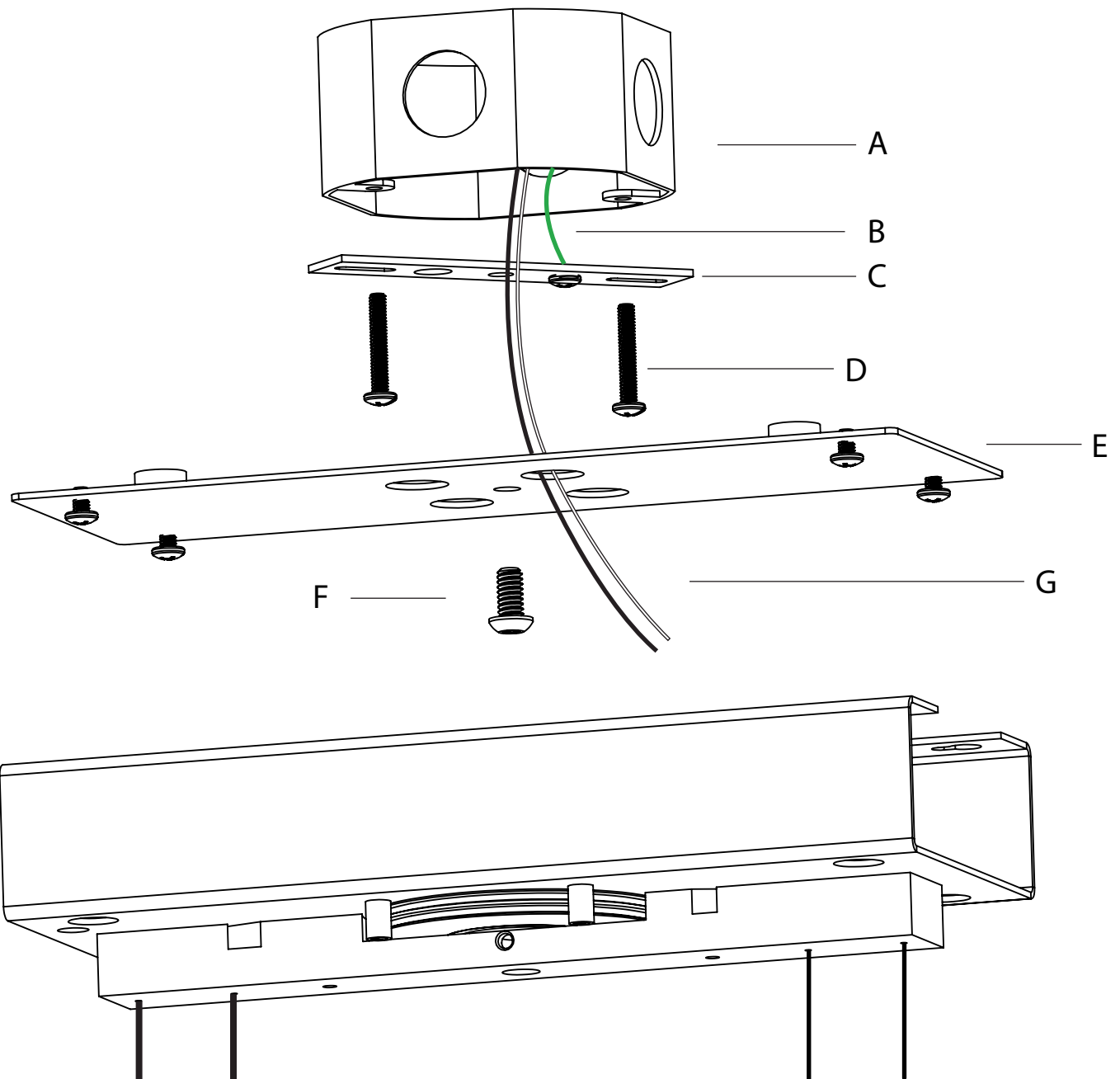
SAFETY INFORMATION

Only suitable for direct mounting on non-combustible surfaces.
 Under no circumstances can Counterweight Fixtures be mounted on normally flammable surfaces.
 Suitable for dry, indoor use only.
 Maximum ambient temperatures: 25° C

COUNTERWEIGHT | CEILING INSTALLATION

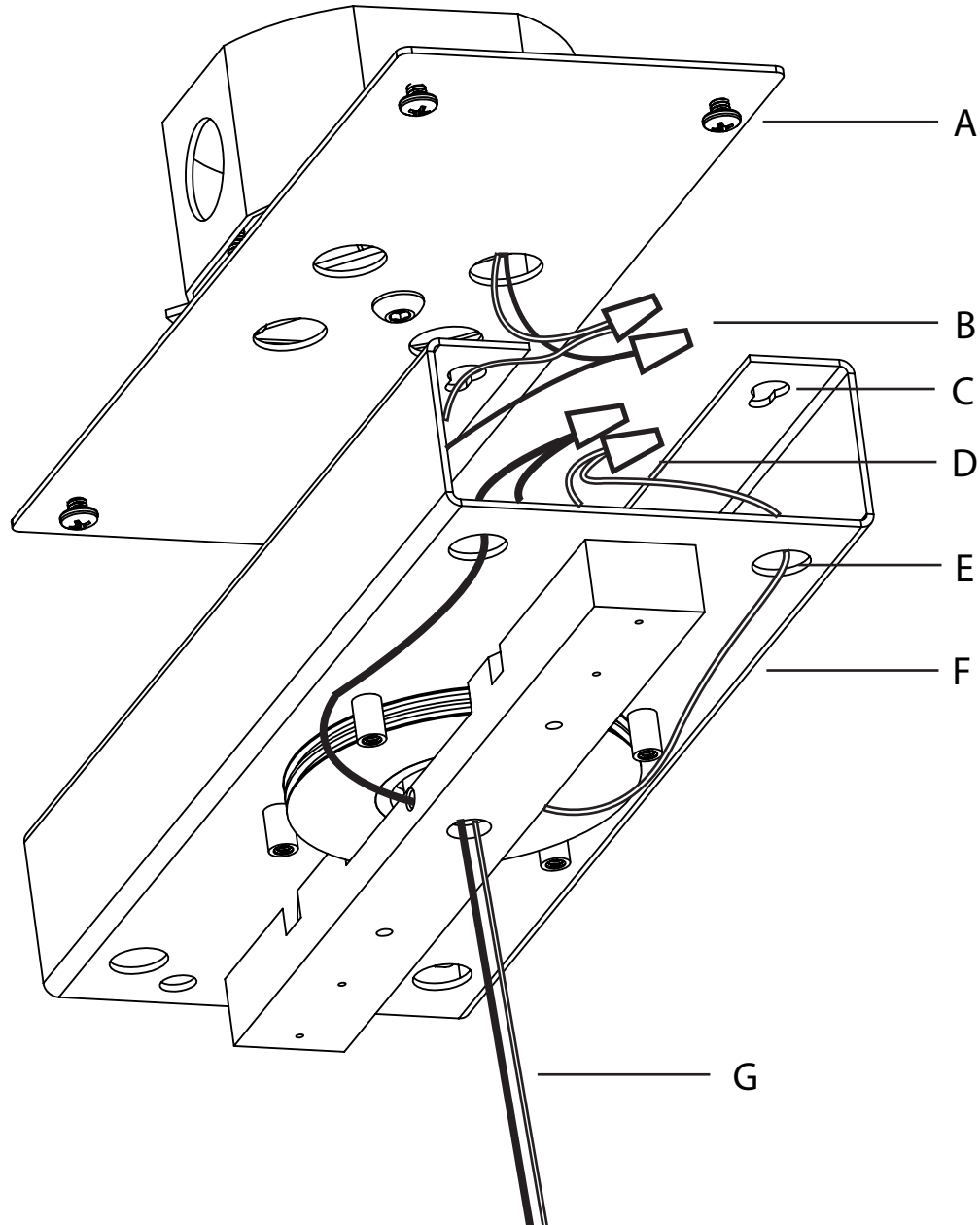
Note: Please contact a licensed electrician.

1. Attach the crossbar (C) to the junction box (A) using two provided 8-32 screws (D). Connect ground (B) to crossbar (C)
2. Lift the hanging plate (E) with the rubber bumpers attached, and secure in place by screwing the provided 1/4-20 (F) screw through the center to the crossbar (C).
3. Guide the ceiling leads (G) through the hanging plate (E) as shown



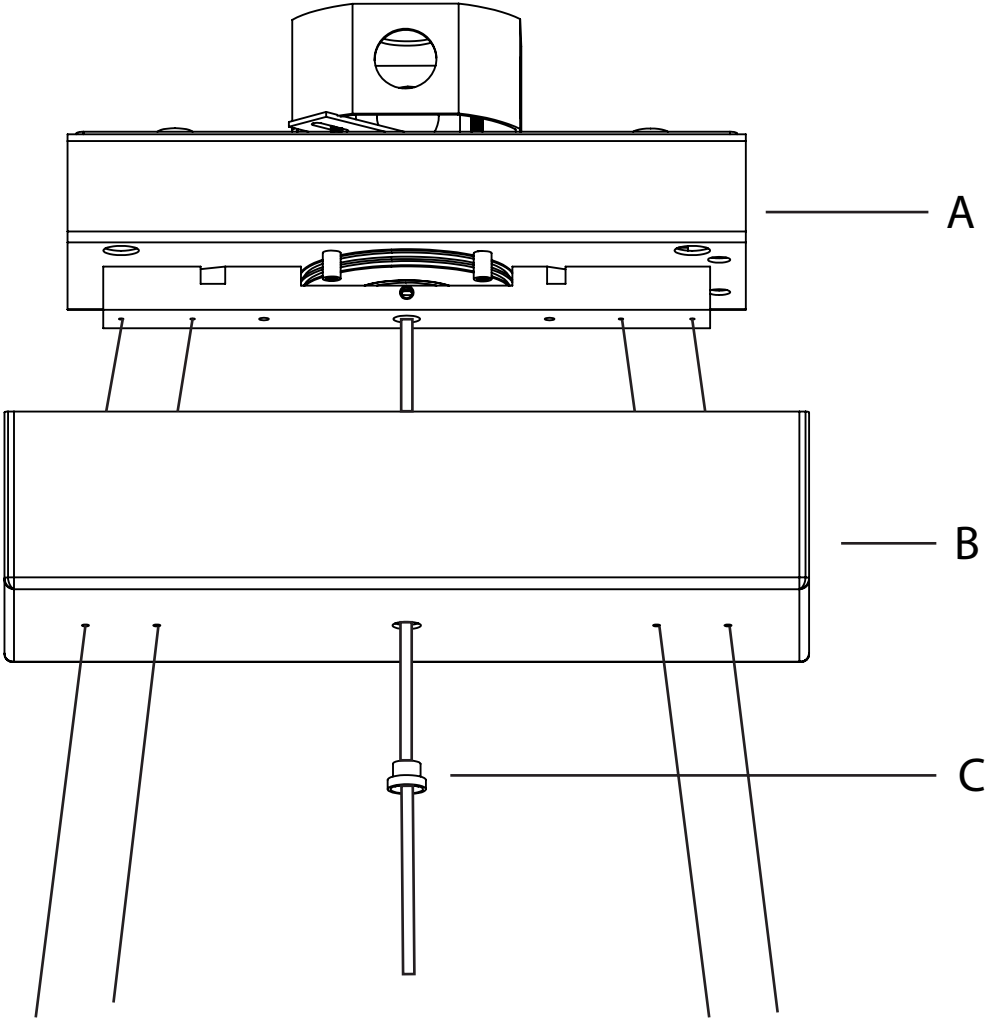
COUNTERWEIGHT | CEILING INSTALLATION

1. Make wire connection (B) from the input of the transformer to the ceiling power, make sure the wires are white and black not black and red.
2. Feed fixture wires (G) through the holes in power box (E) connect to black and red output wires from the transformer (D)
3. Push hanging plate screws (A) into keyhole slots (C) in the bar cap (F) , making sure to tuck wires into empty space in the bar cap. Tighten hanging plate screws (A) once keyed in utilizing pass through holes (E)



COUNTERWEIGHT | CEILING INSTALLATION

1. Raise canopy (B) over completed assembly (A) and secure with threaded bushing (C)



COUNTERWEIGHT | GLASS ATTACHMENT

1. Align the holes of the custom glass with the holes of the standoffs on the fixture.
2. Thread the 8-32 thumb screws through the glass and into the standoffs.
3. Tighten the thumb nuts until the glass is firmly pressed against the wood of the fixture. Do not over tighten or the glass will have a chance of cracking.

