


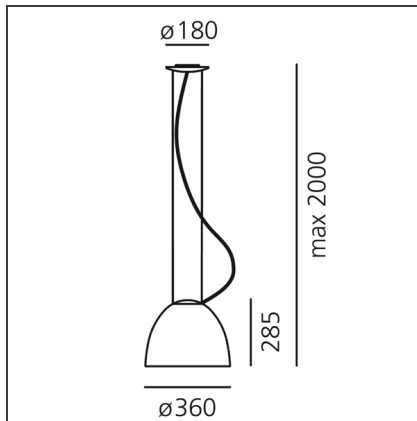
Nur Mini - Anodized Aluminum



IP20    

Dimmerable: +  -

TECHNICAL DRAWINGS



DESIGN BY

Ernesto Gismondi

DESCRIPTION

FEATURES

Article Code:	A244010	Material:	Aluminium, glass
Colour:	Anodized aluminum	Series:	Design
Installation:	Suspension, Ceiling	Area contract:	Hospitality, Residential
Environment:	Indoor	Emission:	Diffused Direct/Indirect

DIMENSIONS

Height:	cm 28.5	Impact Resistance:	N/D
Base Diameter:	cm 18	Glow Wire Test:	650°C
Max Height from ceiling:	cm 200		

NOT INCLUDED SOURCES

Category:	HALO	Color Rendering:	1a
Number:	1	Color temperature (K):	2950K
Watt:	160W		
Lbs:	Qt-de12		
Socket:	R7s		
Duration (h):	2000h		

ALTERNATIVE SOURCES

Category:	LED
Number:	1
Watt:	11w
Delivered lumens output (lm):	1110lm
Type:	2
Socket:	R7s
Class:	A

LUMINAIRE

Watt:	160W	Delivered lumens output (lm):	3300lm
Voltage:	220V-240V	CCT:	2950K

Notes

As accessory, is available a coloured filter.

ACCESSORIES



NUR MINI FILTRO
COLORATO X
ALOG.200W
A247900

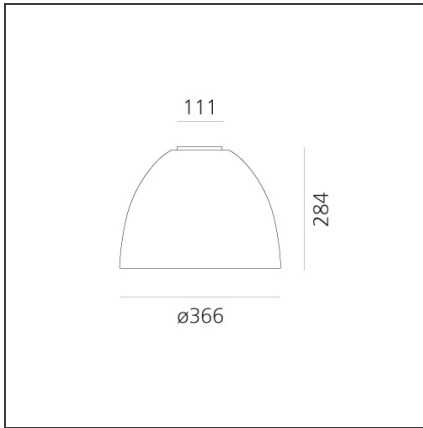
Nur mini Led - Anodized Aluminum



IP40

Dimmerable: + -

TECHNICAL DRAWINGS



DESIGN BY

Ernesto Gismondi

DESCRIPTION

FEATURES

Article Code:	A246510	Material:	Aluminum, methacrylate
Colour:	Anodized Aluminum	Series:	Design
Installation:	Suspension, Ceiling	Area contract:	Hospitality, Residential
Environment:	Indoor	Emission:	Diffused Direct/Indirect

DIMENSIONS

Height:	cm 28.5
Base Diameter:	cm 10

INCLUDED SOURCES

Category:	LED	Color temperature (K):	2700K
Number:	1	Color Tolerance:	MacAdam 2SDCM
Watt:	30W	CRI:	90
Delivered lumens output (lm):	2990lm		
Type:	0		
Class:	A		

LUMINAIRE

Watt:	30W	Delivered lumens output (lm):	1287lm
Voltage:	220V-240V	CCT:	2700K
		Efficiency:	47%
		Efficacy:	42.90lm/W
		CRI:	90
		Dimmable Typology:	Push

Notes

Added to the direct emission is an indirect emission that produces a halo of decorative light on the ceiling.