

# Button Tables

SMALL TABLES

2014

Edward Barber & Jay Osgerby



## Description

---

Multipurpose tables with lacquered cylindrical bases that taper in slightly at the bottom smoothing out their geometry. There are two oval variants accompanied by a third with a round shape. All have a marble top with a raised edge resembling a tray. A formal exercise is created through the combination of different materials, the contrast between the hardness of marble, soft design and minimal details giving the illusion of imperceptible movements of form.

## Technical information

---

**Top**

marble (matt polyester finish)

**Frame**

polyethylene tubular

**Brace**

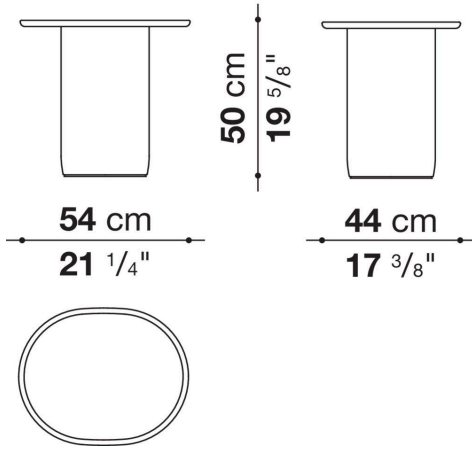
steel

**Base-frame**

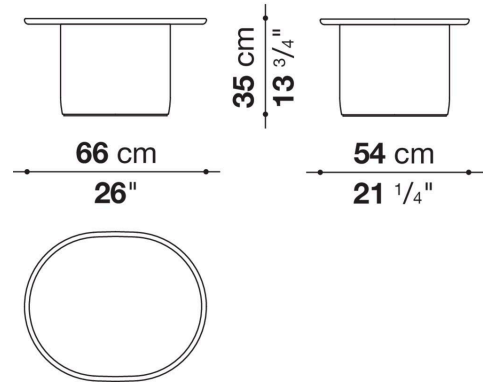
laminated MDF wood fibre panel

# Technical drawings

## TB54



## TB66



## TB80R

