

BRANCH TABLE

Jakob Wagner

cappellini



The frame of the Branch table is made of identical aluminum elements that come together to form a unified whole. Can be chrome or lacquered in the same color as the top, which is available in glass or medium-density fiberboard, lacquered white, anthracite or mud, and in natural oak or wenge-stained oak.

Used materials

Top:

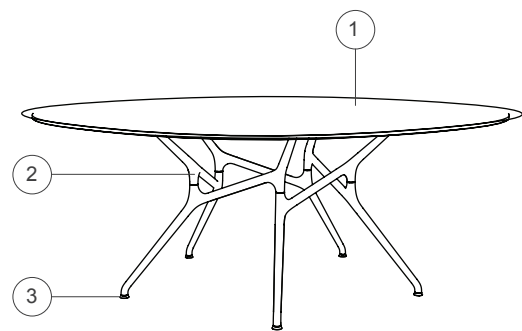
1. Medium-density wooden fibre conglomerate, finishing matt lacquer white, anthracite, mud, bronze or champagne; or in natural oak, wenge-stained oak. Also available with panels extralight glass.

Base:

2. Intertwined modules in die-cast aluminium, finishing matt lacquer white, anthracite, mud, bronze, champagne or polish chrome aluminium.

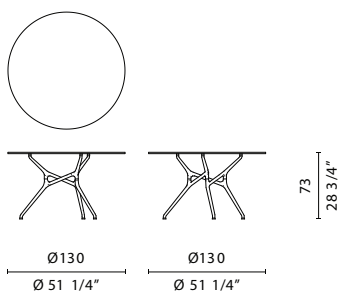
Feet:

3. Adjustable metal pads

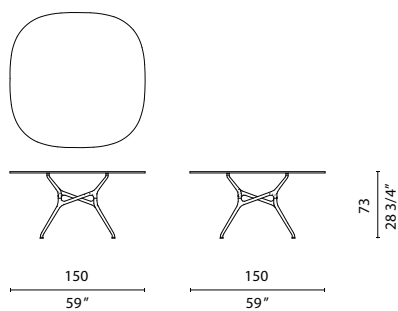


Dimensions

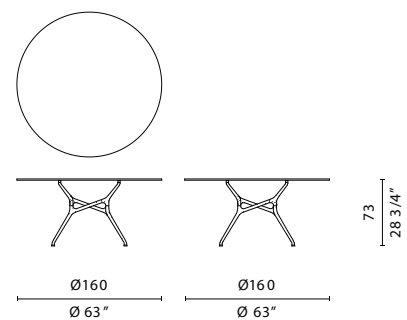
BR_1LA / BR_1LE / BR_1V



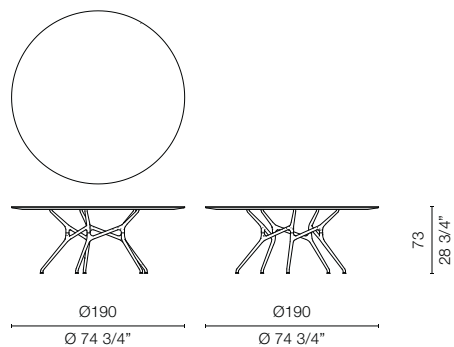
BR_2LA / BR_2LE / BR_2V



BR_3LA / BR_3LE / BR_3V



BR_4LA / BR_4LE



BR_5LA / BR_5LE / BR_5V

