

A622A

A622B

design Alvar Aalto 1953

A910

design Artek



KATTOVALAISIN A622A, A622B

Käsiniitattu teräsinen lamellivarjostin, maalattu valkoinen. Kattoon asennettava, ei kattopistotulppaa.
3 x 11W, E27 (energiansäästölamppu)
3 x 60W, E27 (hehkulamppu)

TAKLAMPA A622A, A622B

Handnidad, vitlackerad skärm av ställameller.
Monteras i taket, ingen stickpropp.
3x11W, E27 (lågenergilampa)
3x60W, E27 (glödlampa)

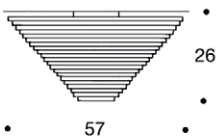
SEINÄVALAISIN A910

Käsiniitattu teräsinen lamellivarjostin, maalattu valkoinen.
Johto valkoista muovia, 260 cm.
11W, E27 (energiansäästölamppu)
60W, E27 (hehkulamppu)

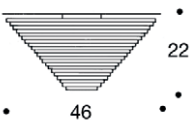
VÄGGLAMPA A910

Handnidad, vitlackerad skärm av ställameller.
Sladden av vit plast, längd 260 cm.
11W, E27 (lågenergilampa)
60W, E27 (glödlampa)

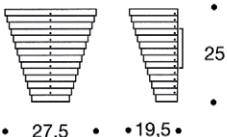
A622A



A622B



A910



CEILING LAMP A622A, A622B

Hand-riveted, white painted louvered steel shade.
Ceiling mounted, no light fixture plug.
3 x 11W, E27 (compact fluorescent)
3 x 60W, E27 (incandescent)

HÄNGELEUCHTE A622A, A622B

Lamellenschirm Stahl, handgenietet, weisslackiert.
Wird in die Decke montiert, ohne Steckerkontakt.
3x11W, E27 (Energiespar)
3x60W, E27W (Glühbirne)

WALL LAMP A910

Hand-riveted, white painted louvered steel shade.
White plastic cable, 260 cm.
11W, E27 (compact fluorescent)
60W, E27 (incandescent)

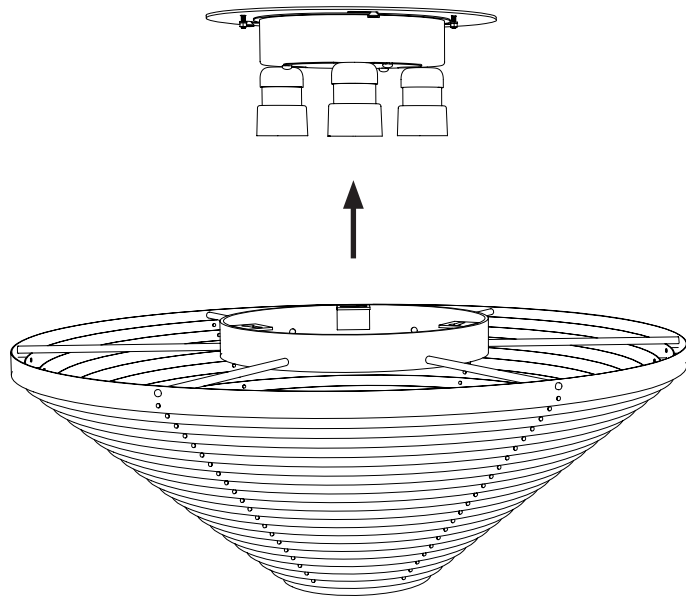
WANDLEUCHTE A910

Lamellenschirm Stahl, handgenietet, weisslackiert.
Das Kabel in weissem Kunststoff.
Kabellänge 260 cm.
11W, E27 (Energiespar)
60W, E27 (Glühbirna)

artek

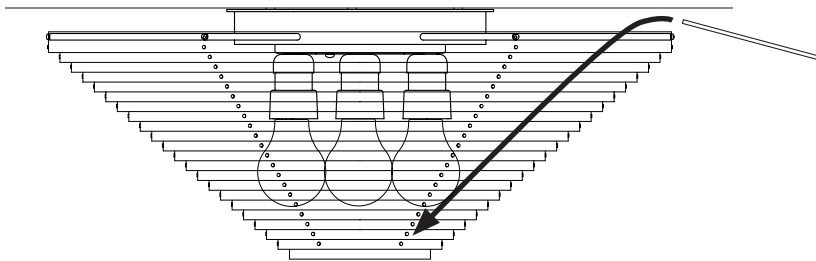
artek.fi

9. Lift the shade up so that the assembly bolts (A) come through the holes on the shade. Rotate the shade and tighten the bolts using a 8mm wrench. You have to put your arm through the hole on the shade to be able to reach the bolts. Make sure the shade is securely installed.



10. Install the light bulbs. Use max. 60W bulbs.

11. Place the frosted glass plate inside the shade as shown below. The glass plate should rest on top of the last lamella of the shade.

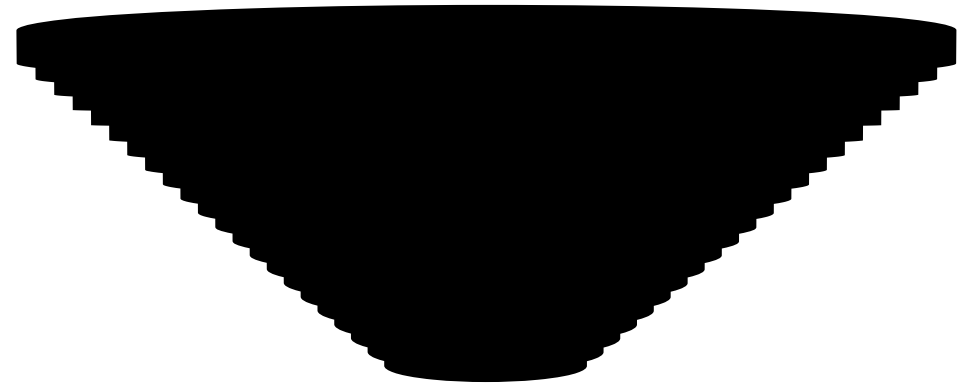


LIGHT A622A

LIGHT A622B

DESIGN ALVAR AALTO 1953

artek

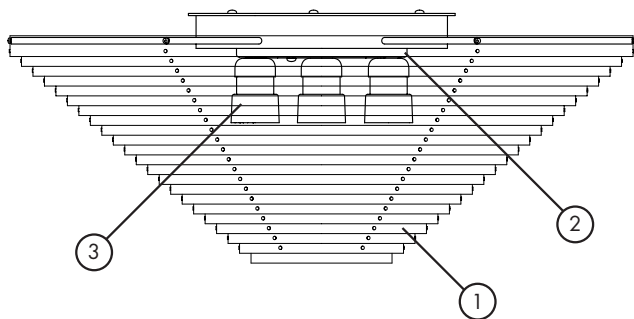


BEFORE YOU START

Read these instructions carefully before commencing installation. Do not attempt to fit installation unless you are competent. If in any doubt consult a qualified electrician. Before commencing installation ensure that the power supply is disconnected at the fuse box. The lighting is intended for use in a normal dry indoor environment. Avoid mounting the fitting on a damp surface as this may cause discoloration of the finish.

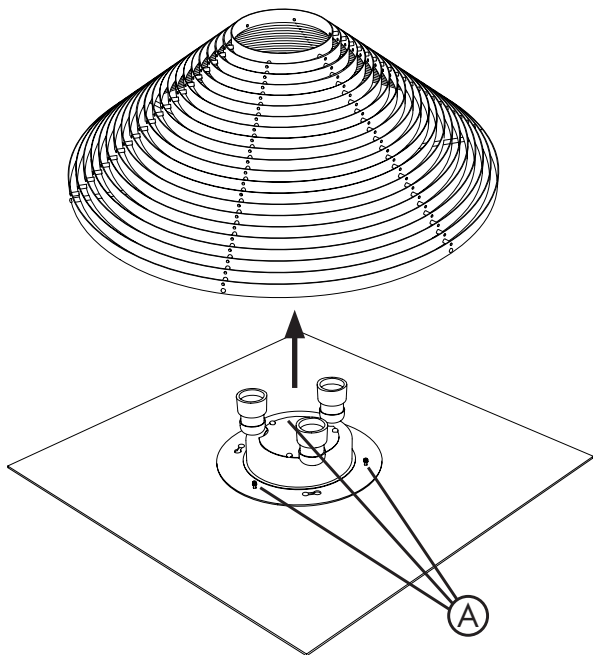
Bulb: max 3 x 60W
 Holder: E27
 Material: painted steel

- PARTS:
 1. Shade
 2. Mounting cup
 3. Bulb holders (3)

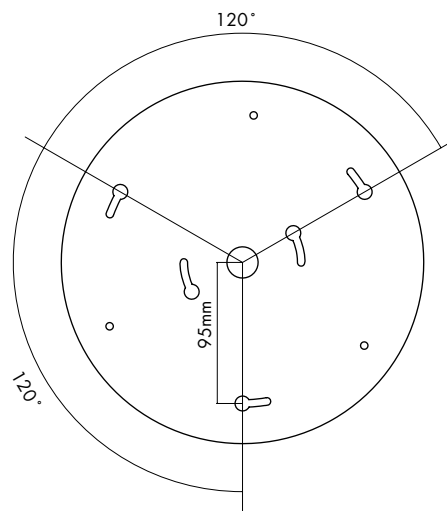


SWITCH OFF THE SUPPLY BEFORE COMMENCING INSTALLATION OF THE LUMINAIRE.

1. Remove the shade by loosening the assembly bolts (A) and rotating the shade. Use 8mm wrench.

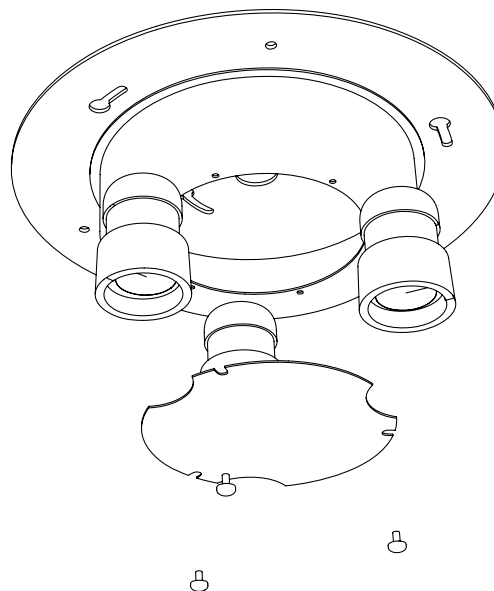


2. Remove the transportation sheet by unfastening the screws.
 3. Drill mounting holes to the ceiling according to the drawing below. The diameter of the holes should be 6mm and depth 30mm.



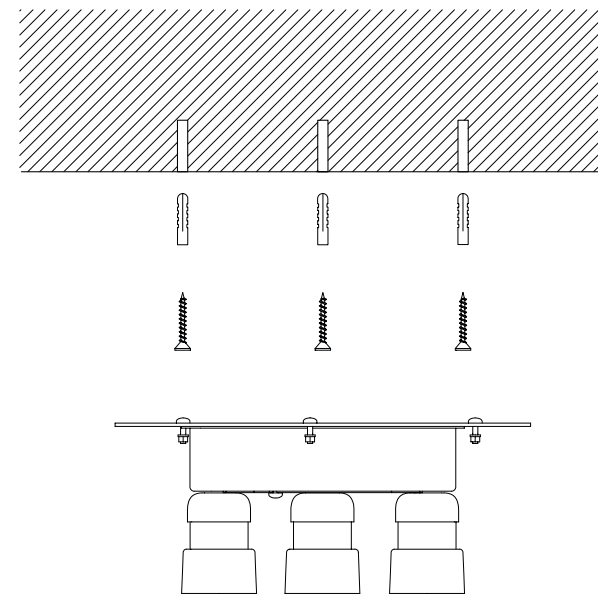
Positioning of the mounting holes on the mounting cup

4. Remove the mounting cup cover by unfastening the screws.



5. Insert plastic plugs to the holes. Screw attachment screws into the holes. Leave 6mm of screwthread visible.

6. Install the mounting cup to the ceiling: lift the mounting cup up, so that the screw head comes through the mounting hole, rotate the mounting cup and tighten the screws. Make sure the mounting cup is securely installed.



7. Connect the fitting and the connector block to the mains cable. Check that:

- You have identified the mains cable correctly
- Ensure that all connections are tight and that cable strands are inserted into the terminal block and that no stray strands are omitted.
- Insulate stripped copper strings of the earth cable using insulation tape.

If you are in any doubt how to make the connection, consult a qualified electrician.

8. Close the mounting cup cover.